

## Crossed Roller Stages ▶ X-Axis and XY-Axis ▶ Aluminum Alloy

Crossed Roller Stages | 30\*30

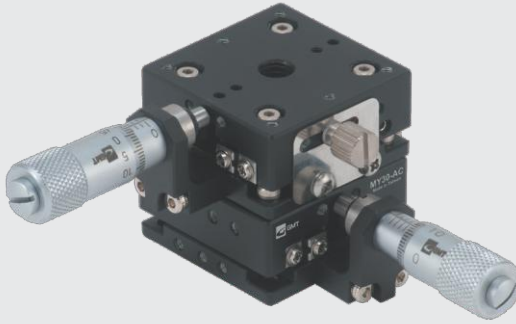
MX30-AC



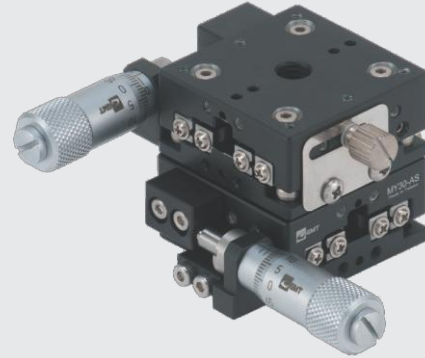
MX30-AS



MY30-AC



MY30-AS



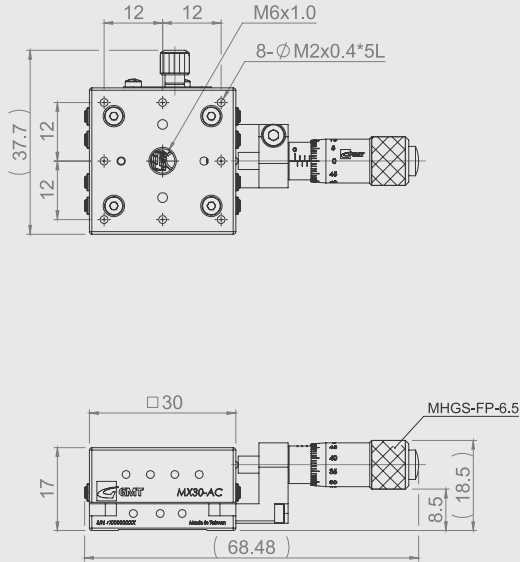
Unit : mm

Model No.	Table Size	Axis	Feed Position	Travel Stroke	Micrometer Minimum Reading (μm)	Straightness Accuracy (μm)	Allowable Loading (kgf)	Weight (kg)	Material	Surface Finish
MX30-AC	30*30	X-axis	Central	±3.2	10	3	1.2	0.045	Aluminum alloy	Black anodized
MX30-AS			Side							
MY30-AC		XY-axis	Central					0.09		
MY30-AS			Side							

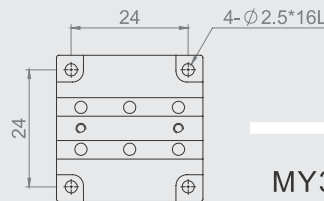
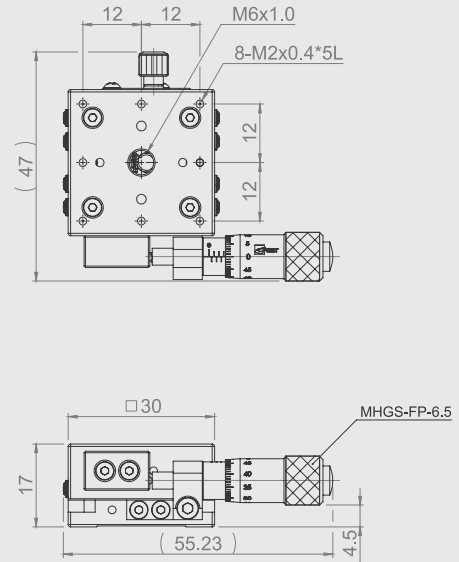
## Crossed Roller Stages ▶ X-Axis and XY-Axis ▶ Aluminum Alloy

Crossed Roller Stages | 30\*30

MX30-AC

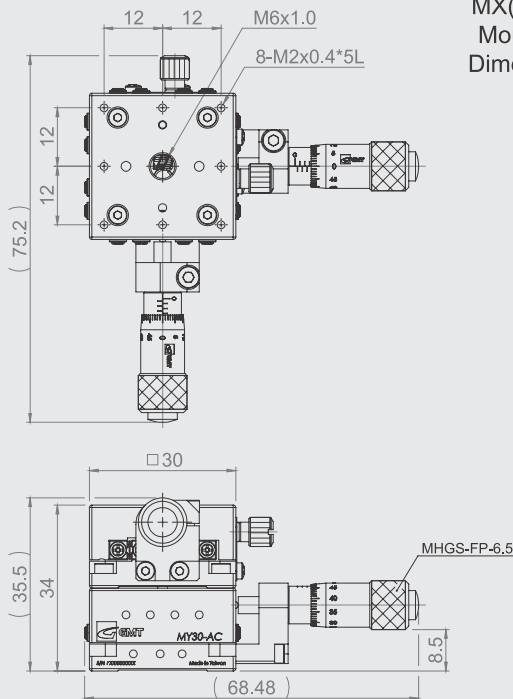


MX30-AS



MX(Y)30-A  
Mounting  
Dimensions

MY30-AC



MY30-AS

